

# Summary of the JAMA/JAPIA Standard Material Datasheet version upgrade (Ver.2.17)

- This document is issued to supply information for JAMA/JAPIA Standard Material Datasheet version upgrade items. (Ver.2.17)  
[Release date : OCT 1, 2012]
- The upgraded JAMA/JAPIA Standard Material Datasheet (Ver.2.17) can be downloaded from the JAPIA website (<http://www.japia.or.jp/>) after OCT 2012.
- The JAMA/JAPIA Standard Material Datasheet may be upgraded furthermore in the future.

October 1, 2012

Japan Auto Parts Industries Association  
Product Environmental Committee

## < List of upgrade items in Ver.2.17 >

2/9

File	Upgrade item	Upgrade content	Details
I. Data Input Form	1. Cover sheet	-“Version No.” and “Date” have been revised. -“Explanation of upgrade” has been added.	Page 4
	2. Password	The password has been updated. (Please confirm the new one to your requester.)	(n/a)
	3. Enhance the same materials check	The warning messages will be shown for the same materials, not having Node IDs, by comparing the its' compositions.	Page 5
	4. Add the data check interruption function	The interruption function during data check has been added during data checks for effective operation	Page 6
	5. Add the warning message when unnecessary spaces deleted	The warning messages will be shown, when the unnecessary spaces are deleted (deletion function is release in Oct, 2011).	Page 7

(continue)

(continue)

File	Upgrade items	Upgrade contents	Details
II. External list	6. Material List MAT	- Revised contents of JIS have been reflected.	(n/a)
	7. Substance list IMDS_SUB	- IMDS BSL changes (addition, revised and deletion) have been reflected. -The additional SVHCs of REACH on June 18, 2012 have been reflected.	(n/a)

# I. Upgrade items for data input form

## 1. Cover page

<Upgrade>  
Version and date are revised.

**JAMA Standard Material Datasheet**

Ver.2.17  
October 1, 2012

Revision of JAMA Standard Material Datasheet is implemented as follows.

<October 1, 2012>

- JAMA and JAPIA issued the revised JAMA Standard Material Datasheet (Ver.2.17) for consistency with IMDS and for improvement of user convenience.  
Please refer to the document in JAPIA website for detail information of revision.
- "External list" was updated, because SVHC of EU-REACH regulation was added on June 18th, 2012.

<June 1, 2012>

- JAMA and JAPIA issued the revised JAMA Standard Material Datasheet (Ver.2.16) for consistency with IMDS.  
Please refer to the document in JAPIA website for detail information of revision.
- "External list" was updated for consistency with the latest GADSL(2012 GADSL Version 1.0)
- "External list" was updated, because SVHC of EU-REACH regulation was added on November 19th, 2011.

<January 1, 2012>

- JAMA and JAPIA issued the revised JAMA Standard Material Datasheet (Ver.2.15, extraordinary revision) for consistency with IMDS.
- The related documents will not be revised other than "Summary of JAMA/JAPIA Standard Material Datasheet version upgrade".
- Points of change from Ver.2.14 are the three below.
  - 1) Deactivation of Application Code "16"
  - 2) Change in digits of Material number (Item No.:17) for consistency with IMDS (from 20 digits to 50 digits)
  - 3) Update of "External list" for consistency with the latest GADSL(2011 GADSL Version 1.1)

(以下、省略)

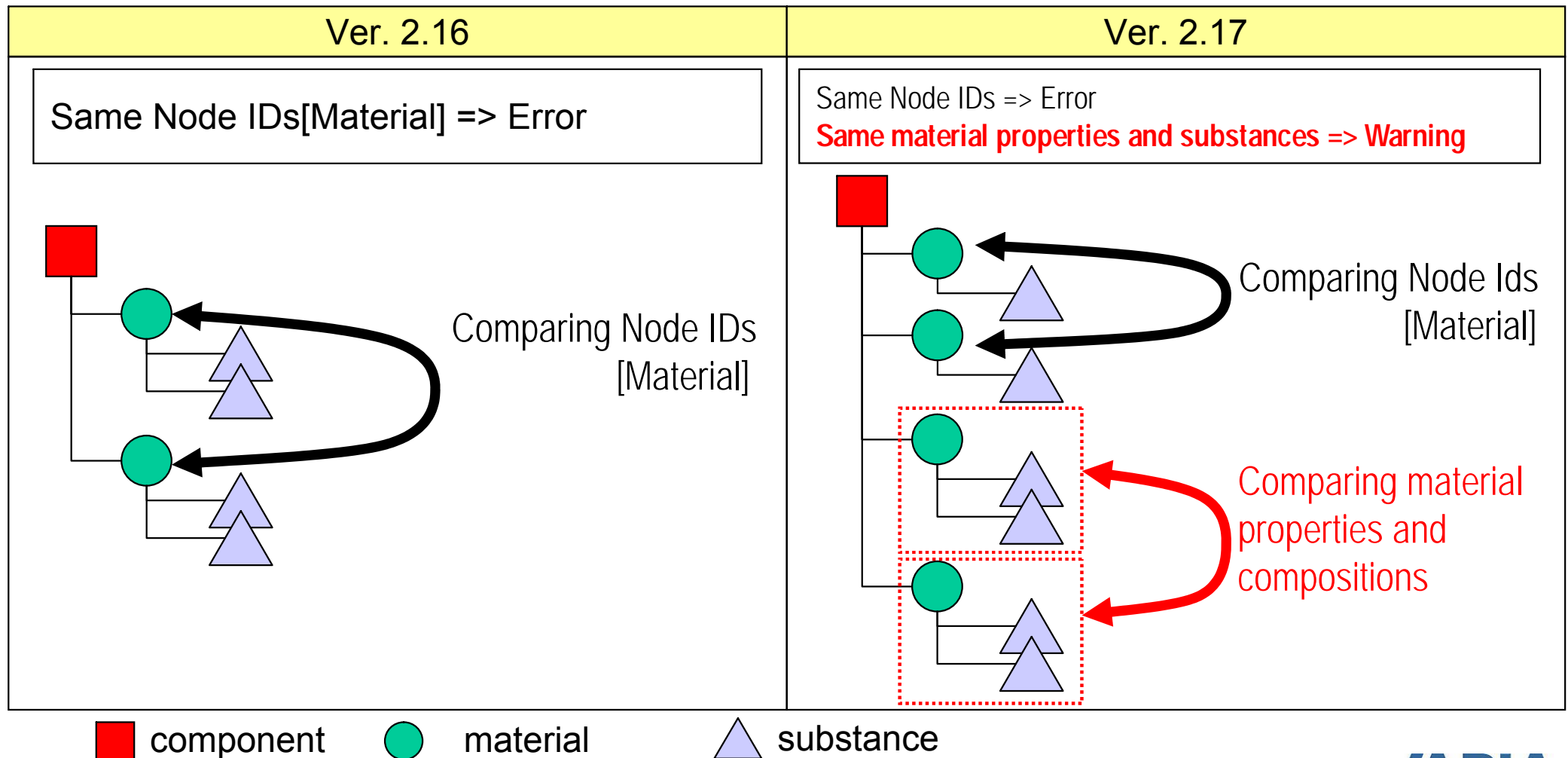
<Upgrade>  
Upgrade contents have been added.

## 3. Enhance the same materials check

The data check function (addition of warning message when the same compositions exist in one component) has been enhanced in correspondence with IMDS. Please merge them if they are the same materials.

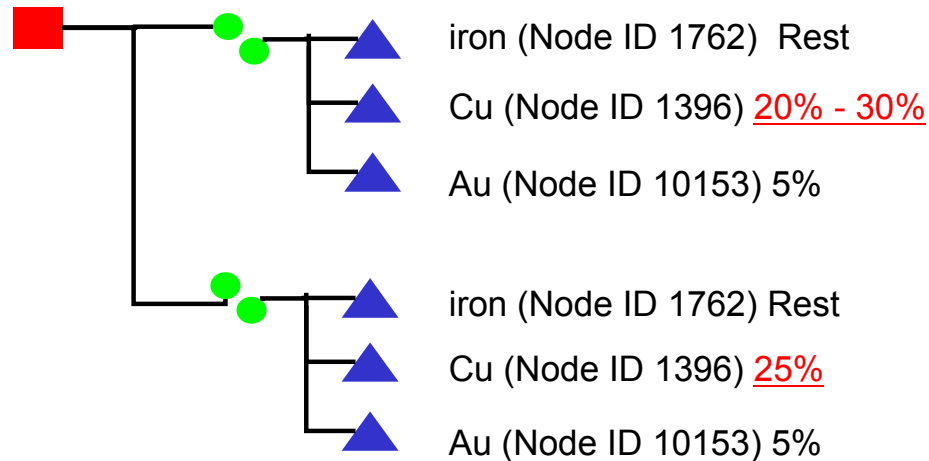
[Method] The same materials are judged when the following items are same.

Material standard, Material symbol, Material code, Recyclate, and "Node ID [substance] and portion"

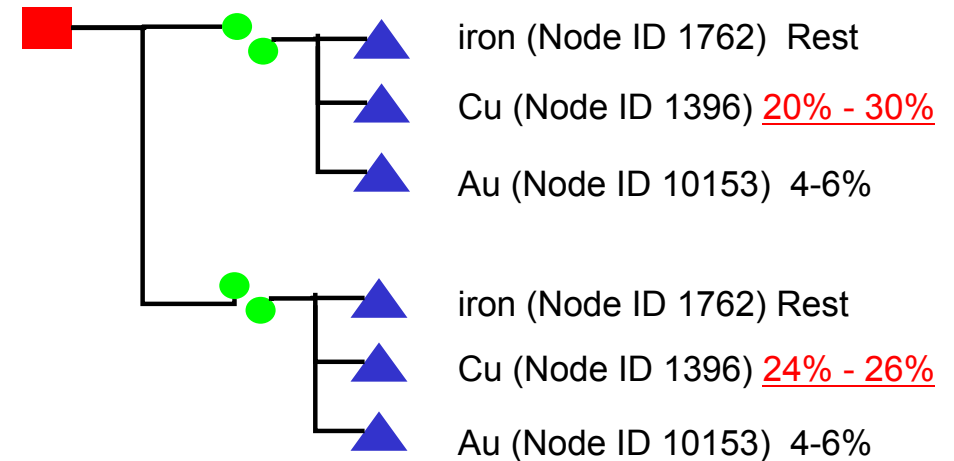


## Detail explanation about same materials check

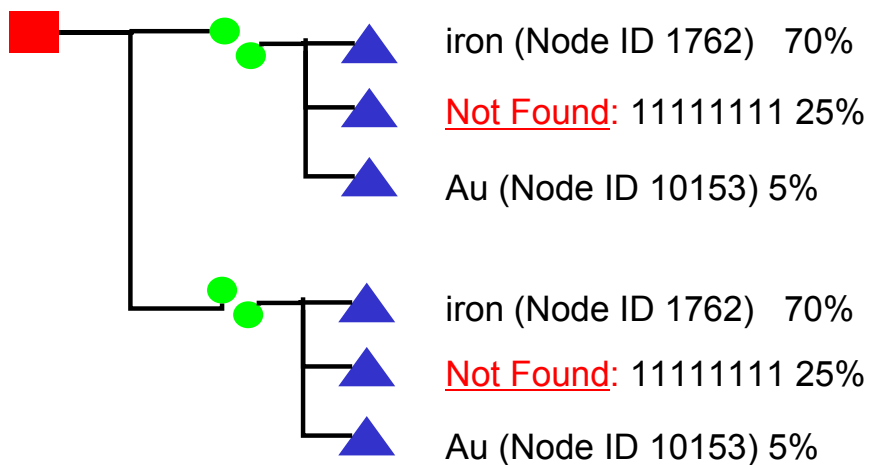
### 1. Different input methods of portion => Not same



### 2. Different input methods of portion => Not same

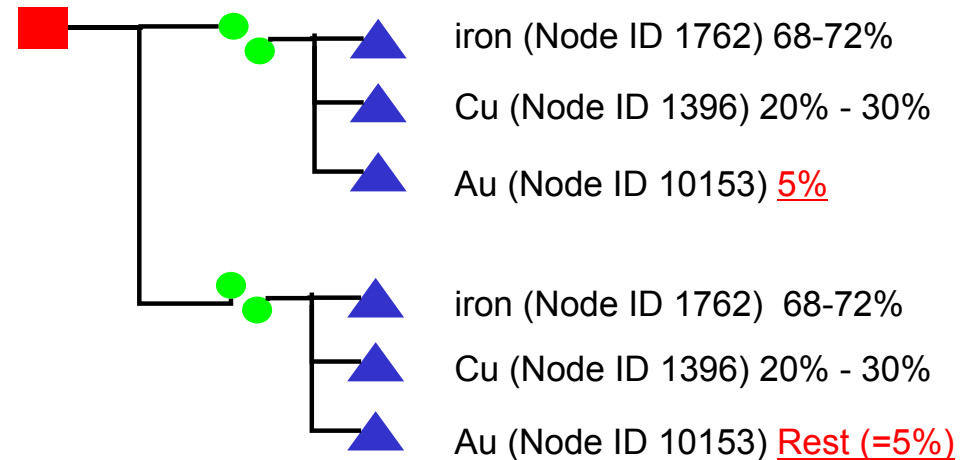


### 3. One or more "Not found"s exist => Not same



### 4. Different input methods of portion, but the values are same: Same materials

The following materials are judged as same, because both of portions of "Au" are 5%.



# I. Upgrade items for data input form

## 4. Addition of data check interruption function

The data check interruption function has been added during data checks for effective operation.

(When the data check is started again, it checks from 1<sup>st</sup> lines of input form.)

"MESSAGE" sheet in JAMA spread sheet

Add the data check interruption function

	A	B	C
1			
2	Stop data check	After clicking the button, it may take several minutes to stop the check processing	
3			
4	<a href="#">AB24</a>	[mes123:Warning]The unnecessary space has been deleted.	
5	<a href="#">C24</a>	[mes124:Error]This External list is not registered in JAMA sheet. Please check the version of Exter...	

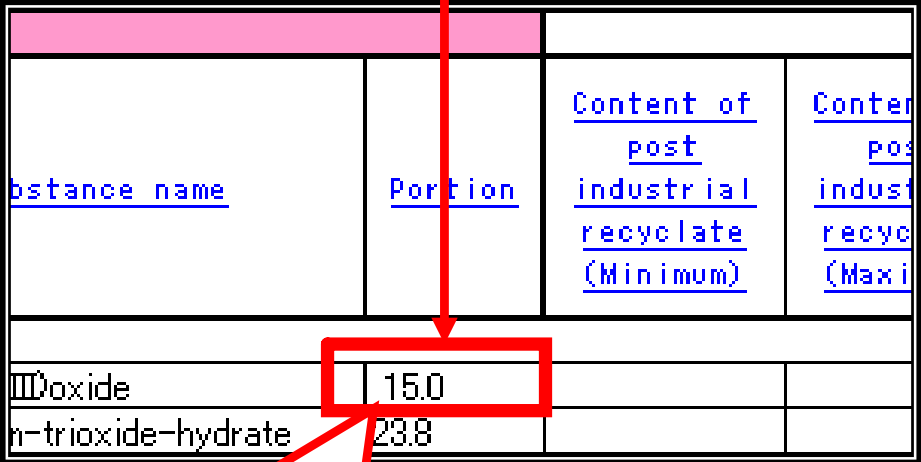
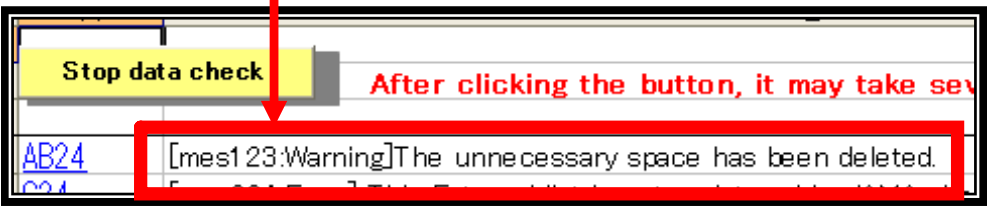
The links to the contents of warnings and errors in data input sheet

# I. Upgrade items for data input form

## 5. Addition of warning messages when unnecessary spaces deleted.

When the unnecessary spaces have been deleted automatically, the warning messages will be shown in the message sheet.

[Applied to] Data check, Export CSV, and Export XML functions

Ver. 2.16	Ver. 2.17
<p>The unnecessary spaces are deleted automatically when error check (Upgraded in Ver. 2.14 (2011))</p>  <p>Included unnecessary spaces</p>	<p>The warnings are shown when the unnecessary spaces are deleted automatically.</p>  <p>["MESSAGE" sheet in data input form]</p>



## Data compatibilities between Ver. 2.16 and Ver. 2.17

### (1) External List

#### Not compatible

Users must use the external list Ver.2.17.

The external list older than Ver. 2.16 can not be used because some of functions, such as material selecting function, doesn't work properly.

### (2) CSV file

#### Compatible

The JAMA Standard Material Datasheet can import CSV files created by older version sheet (From Ver. 2.01 to Ver. 2.16)

However some errors may occur because of the modification of materials and substances in the new external list.

In case of errors, the data has to be corrected.